

HIGH SECURITY ELEVATOR KEY-SWITCHES

BiLock & Medeco Elevator Key-Switches

PRODUCT FEATURES:

SIMPLICITY	Easy use and minimum maintenance. No "overturning" of switch required, unlike other high security keying systems.
DURABILITY	Fewer moving parts than other high security keying systems. Switches in use for over 250,000 operations.
TAMPER RESISTANCE	A high level of pick resistance. Immune to "lock bumping". Anti-drill features. Registered keying system.
FLEXIBILITY	BiLock - 16.7 million combinations Medeco - 2.17 million combinations
COMPATIBILITY	Designed to retro-fit elevator industry standard key-switches. No need to modify operating panels or switch mounts.
COST EFFECTIVENESS	Competitive pricing and a system designed to reduce overheads
INNOVATION	The removable core is a unique feature that gives the user the ability to quickly and rapidly secure any compromised area, for example, where an employee loses a key. The interchangeable core can be easily removed, recombined and reinstalled in seconds.

Medeco Key-Switches:

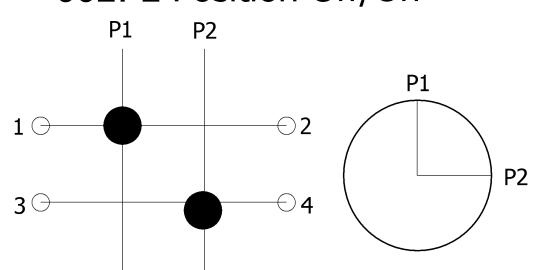
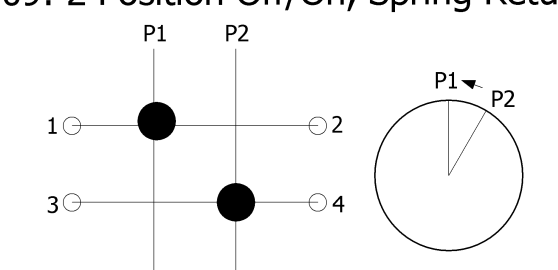
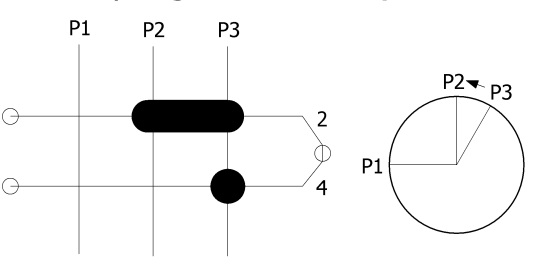
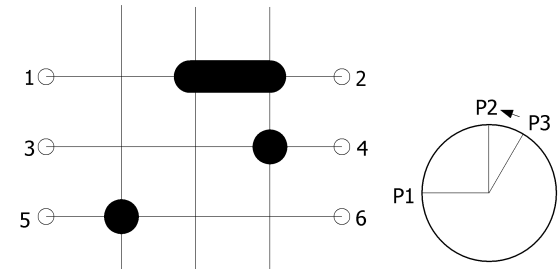


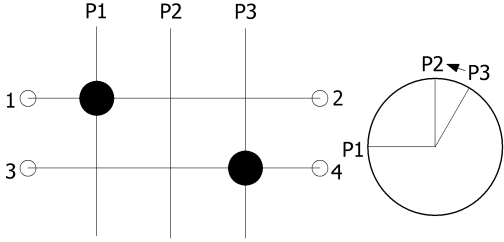
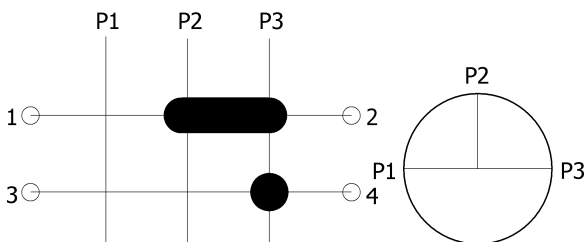
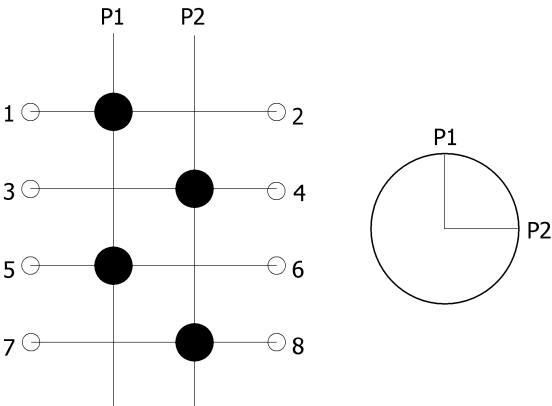
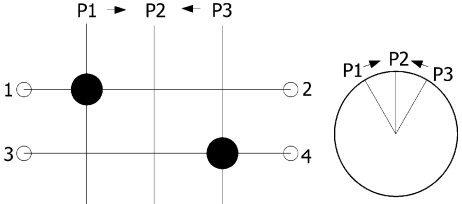
BiLock Key-Switches:



Diagrams

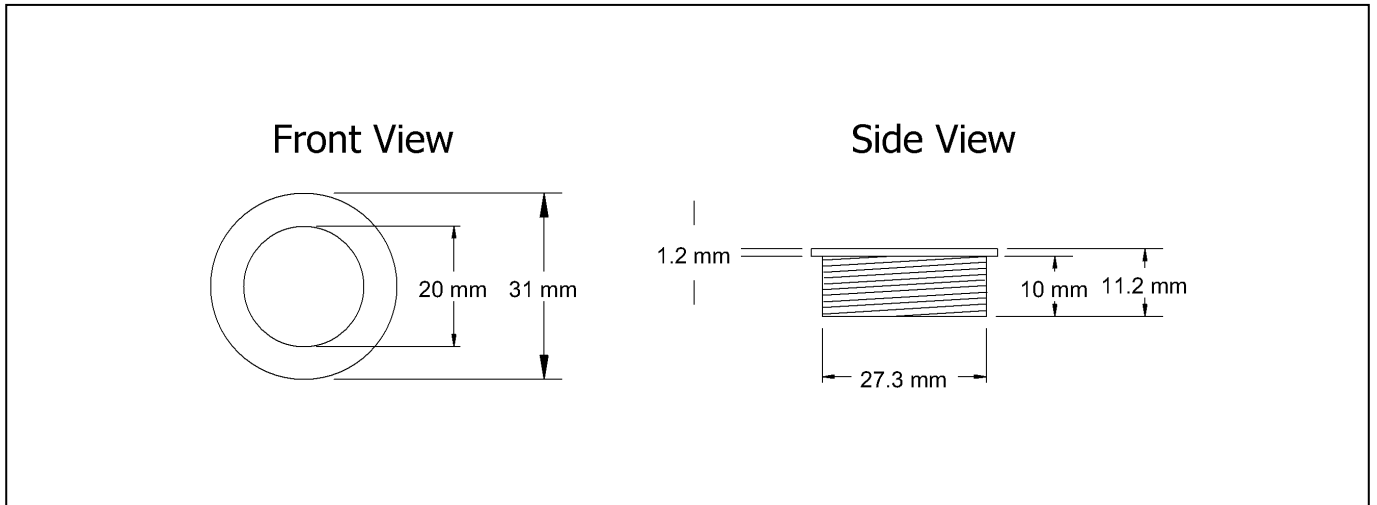
Sample Switch Circuit Diagrams:

<p style="text-align: center;">2 Position Off/On Used for: Security, Fan, Light, Fire Service etc TOK: OSYA32500200 BiLock: OSQC32500200 Medeco: OSMR32500200</p>	<p style="text-align: center;">2 Position Spring Return Used for: Security TOK: OSYA31600900 BiLock: OSQC31600900 Medeco: OSMR31600900</p>
<p style="text-align: center;">002: 2 Position Off/On</p>  <p style="text-align: center;">Tok Equivalent: P5/3/22-9</p>	<p style="text-align: center;">009: 2 Position Off/On, Spring Return</p>  <p style="text-align: center;">Tok Equivalent: P5/3/6-SR</p>
<p style="text-align: center;">3 Position Spring Return (Off/On/Start) Used for: Fire Service TOK: OSYA32500700 BiLock: OSQC32500700 Medeco: OSMR32500700</p>	<p style="text-align: center;">3 Position Spring Return (Off/On/Start) Used for: Fire Service TOK: OSYA32507200 BiLock: OSQC32507200 Medeco: OSMR32507200</p>
<p style="text-align: center;">007: 3 Position Off/On/On Spring Return, Bridged</p>  <p style="text-align: center;">TOK Equivalent: P5/3/67X</p> <p>Note: This switch is available without the bridge between contacts 2 & 4. TOK Part number: OSYA32502300</p>	<p style="text-align: center;">072: 3 Position Off/On/On, Spring Return</p>  <p style="text-align: center;">TOK Equivalent: P5/3/SP18</p>

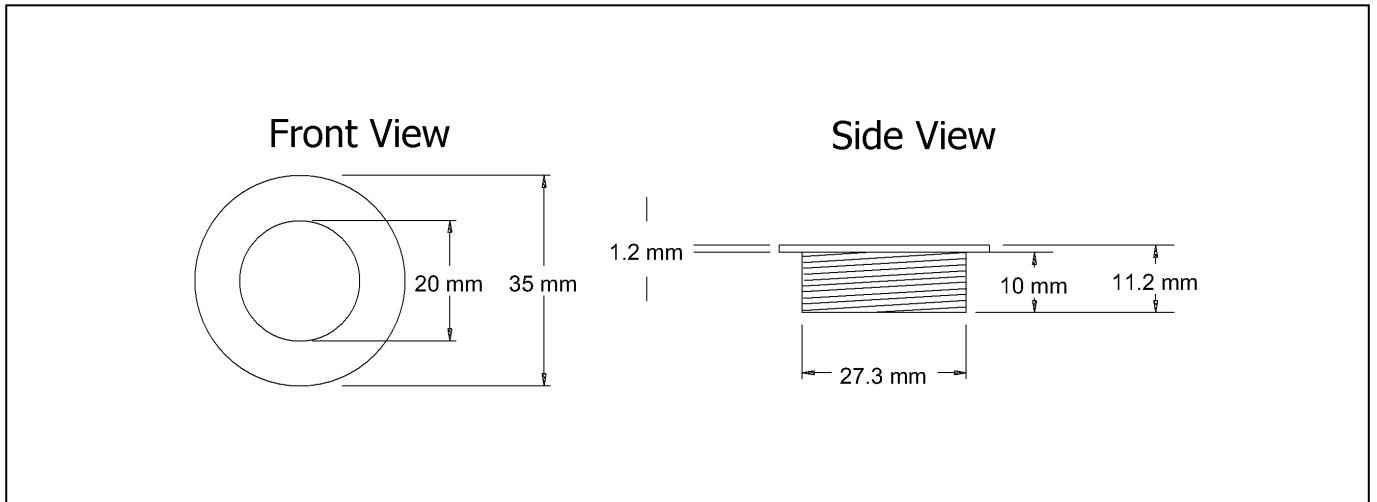
<p>3 Position Spring Return (Off/On/Start) Used for: Fire Service TOK: OSYA32506900 BiLock: OSQC32506900 Medeco: OSMR32506900</p>	<p>3 Position Used for: Exclusive Service, Off Light & Fan TOK: OSYA33507000 BiLock: OSQC33507000 Medeco: OSMR33507000</p>
<p>069: 3 Position On/Off/On, Spring Return</p>  <p>TOK Equivalent: P5/3/SP8</p>	<p>070: 3 Position Off/On/On</p>  <p>TOK Equivalent P5/3/33-29</p>
<p>2 Position Off/On Used for: Stop Button Replacement</p>	<p>3 Position Spring Return to Centre Used for: Escalators</p>
<p>TOK: OSYA32503800 BiLock: OSQC32503800 Medeco: OSMR32503800</p>	<p>TOK: OSYA31601100 BiLock: OSQC31601100 Medeco: OSMR31601100</p>
<p>038: 2 Position Off/On</p>  <p>TOK Equivalent: P5/3/22-209</p>	<p>011: 3 Position On/Off/On, Spring Return</p>  <p>Tok Equivalent: P5/3/7-SR</p>

Switch Mounts / Bezels:

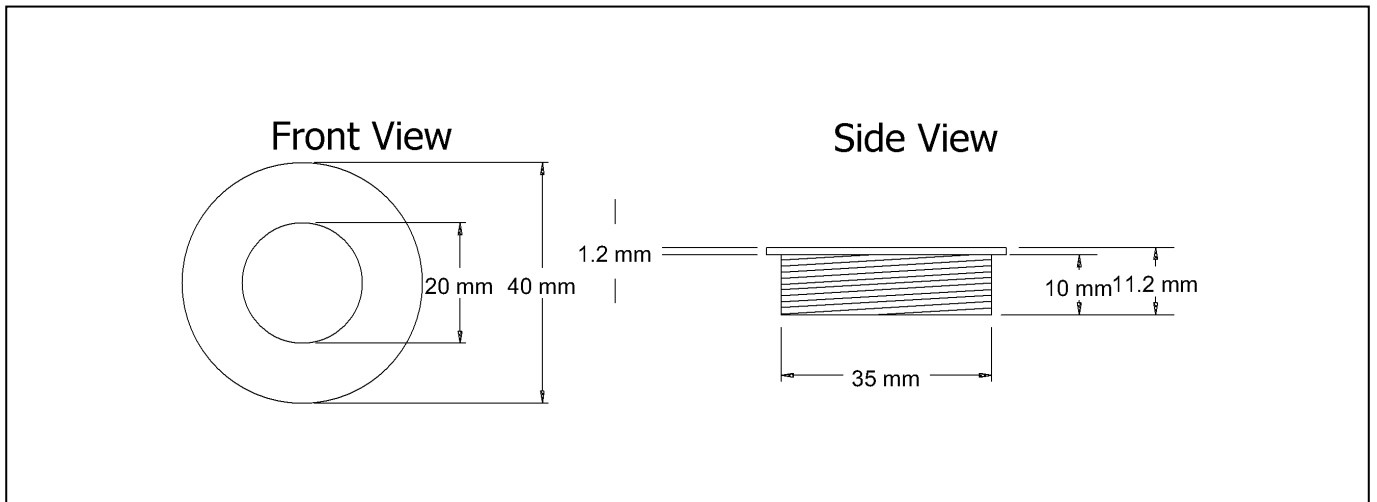
31mm Round Omega Switch Mount – SM31RED (Red) & SM31SILVER (Silver)



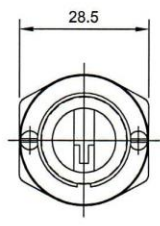
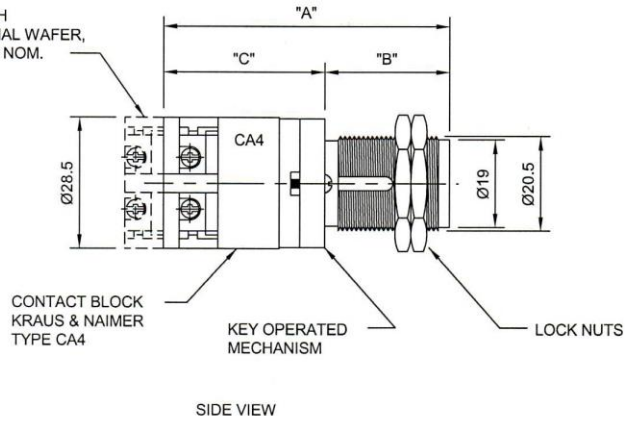
35mm Round Omega Switch Mount – SM35RED (Red) & SM35SILVER (Silver)



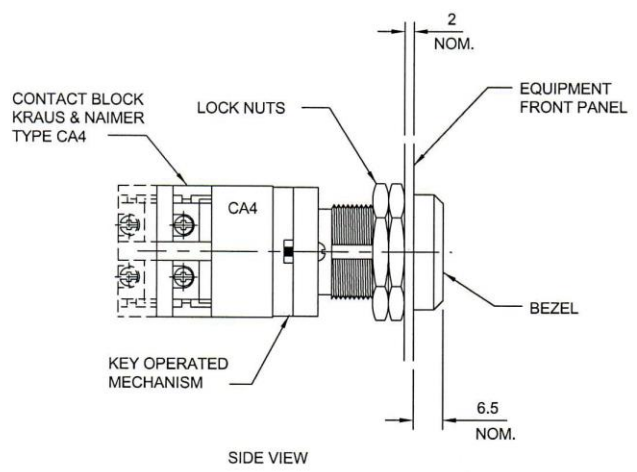
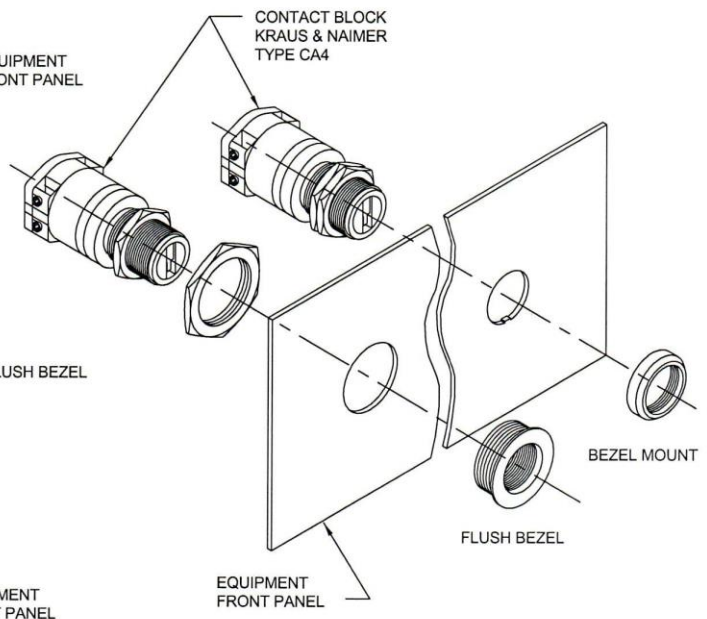
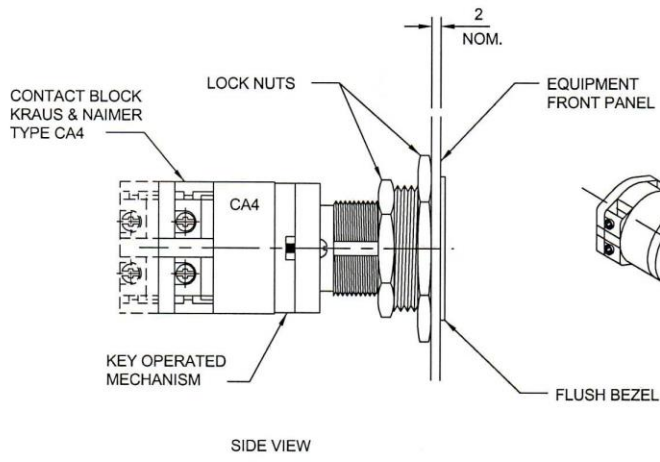
40mm Round Omega Switch Mount – SM40RED (Red) & SM40SILVER (Silver)



FOR EACH
ADDITIONAL WAFER,
ADD 8MM NOM.



LOCK NUTS NOT SHOWN



KEY TYPE	"A" MM	"B" MM	"C" MM
YALE (TOK)	51.5	15.5	36
STANDARD BILOCK	63	27.5	35.5
QCC BILOCK	60	29	31
STANDARD MEDECO	59.5	23.5	36
RC MEDECO	57.7	27.7	30

BRIEF ELECTRICAL SPECIFICATIONS

240VAC 10 AMPS RATING
 24VDC 10 AMPS RESISTIVE LOAD
 24VDC 6 AMPS INDUCTIVE LOAD

PLC RATED FOR LOW VOLTAGE/AMPERAGE APPLICATIONS

SWITCHES ARE APPROVED BY OR CONFORM TO ALL
 MAJOR RELEVANT INTERNATIONAL STANDARDS AND APPROVALS.



Omega Security Controls Pty. Ltd.
 93 Buckley Street, Footscray, Vic. 3011
 Tel.+61 3 9689 3488 Fax.(03) 9687 5139
 email: nmacmillan@omegacorp.com.au